

FLEX FAUCET

The Flex faucet is engineered from ultra-high weight (UHMW) polyethylene and polypropylene for high purity. It features a vertebra neck allowing versatile movement in any direction, and a patented meter valve for flow control with a non-particulate diaphragm. The faucet is available in threaded shank, bolt base, and through wall base configurations.

BASE OPTIONS

BOLT BASE

THREADED SHANK

THROUGH WALL

PRODUCT SPECIFICATION

Color: White

Faucet tip: Barbed

Faucet neck: Flex

Meter valve: Flow control and diaphragm

Faucet Base: Bolt base, threaded shank or through wall

Material: Ultra-high molecular weight polyethylene and polypropylene

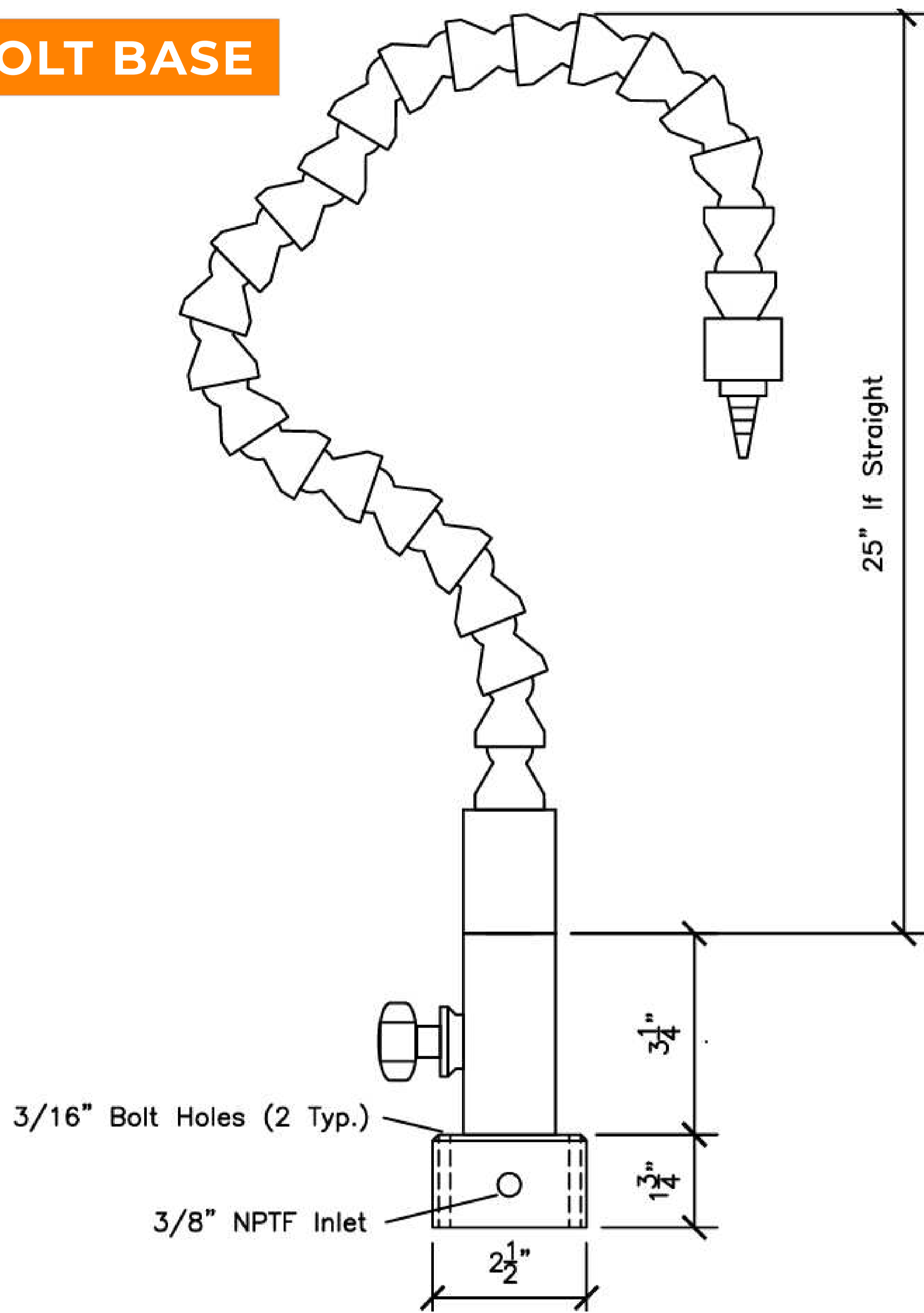


FEATURES

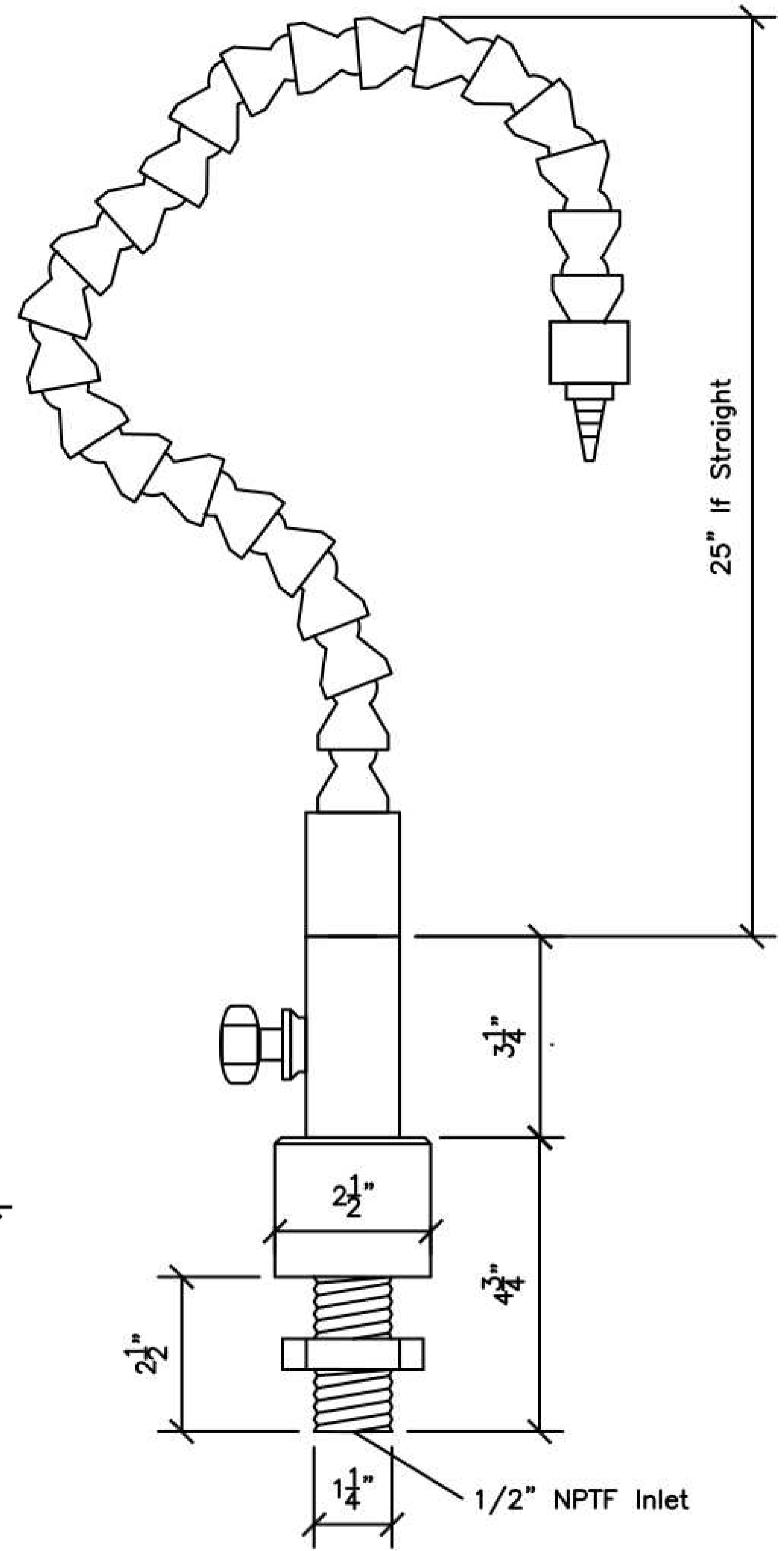
- ✓ Vertebra neck allowing movement in any direction.
- ✓ Meter valve for optimal flow control.
- ✓ Patented non-particulating diaphragm.
- ✓ No glues, sealants, pigments, or other additives.

DIMENSIONS

BOLT BASE



THREADED SHANK



THROUGH WALL

