

GOOSENECK FAUCET

The Gooseneck faucet is engineered from ultra-high weight (UHMW) polyethylene and polypropylene for high purity. The faucet features a meter valve for flow control and is available in threaded shank, bolt base, and through wall base configurations. The high arc neck provides ample workspace, making it an ideal choice for various applications.

BASE OPTIONS

BOLT BASE

THREADED SHANK

THROUGH WALL

PRODUCT SPECIFICATION

Color: White

Faucet tip: Barbed

Faucet neck: Gooseneck

Meter valve: Flow control and diaphragm

Faucet Base: Bolt base, threaded shank or through wall

Material: Ultra-high molecular weight polyethylene and polypropylene

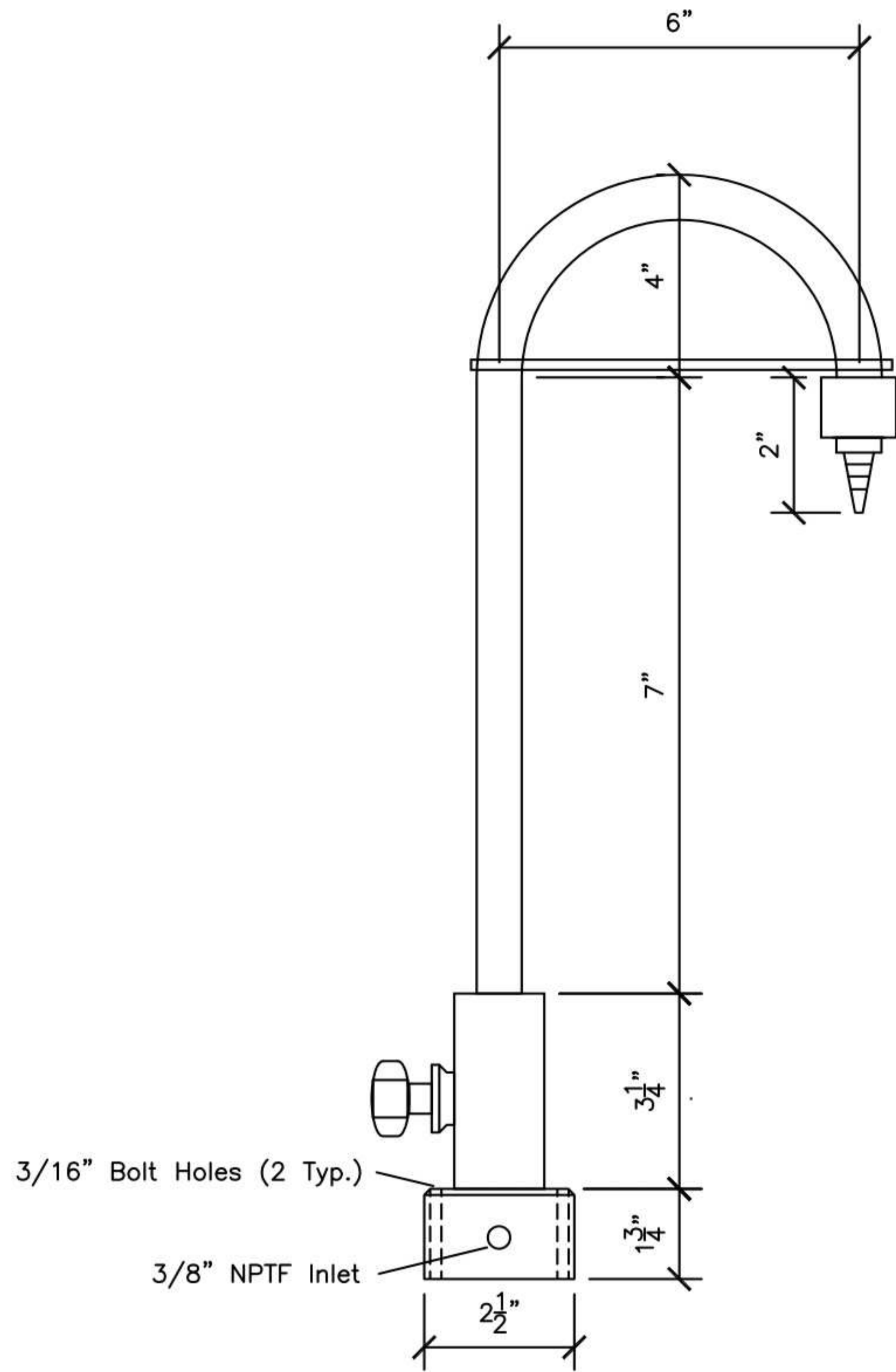


FEATURES

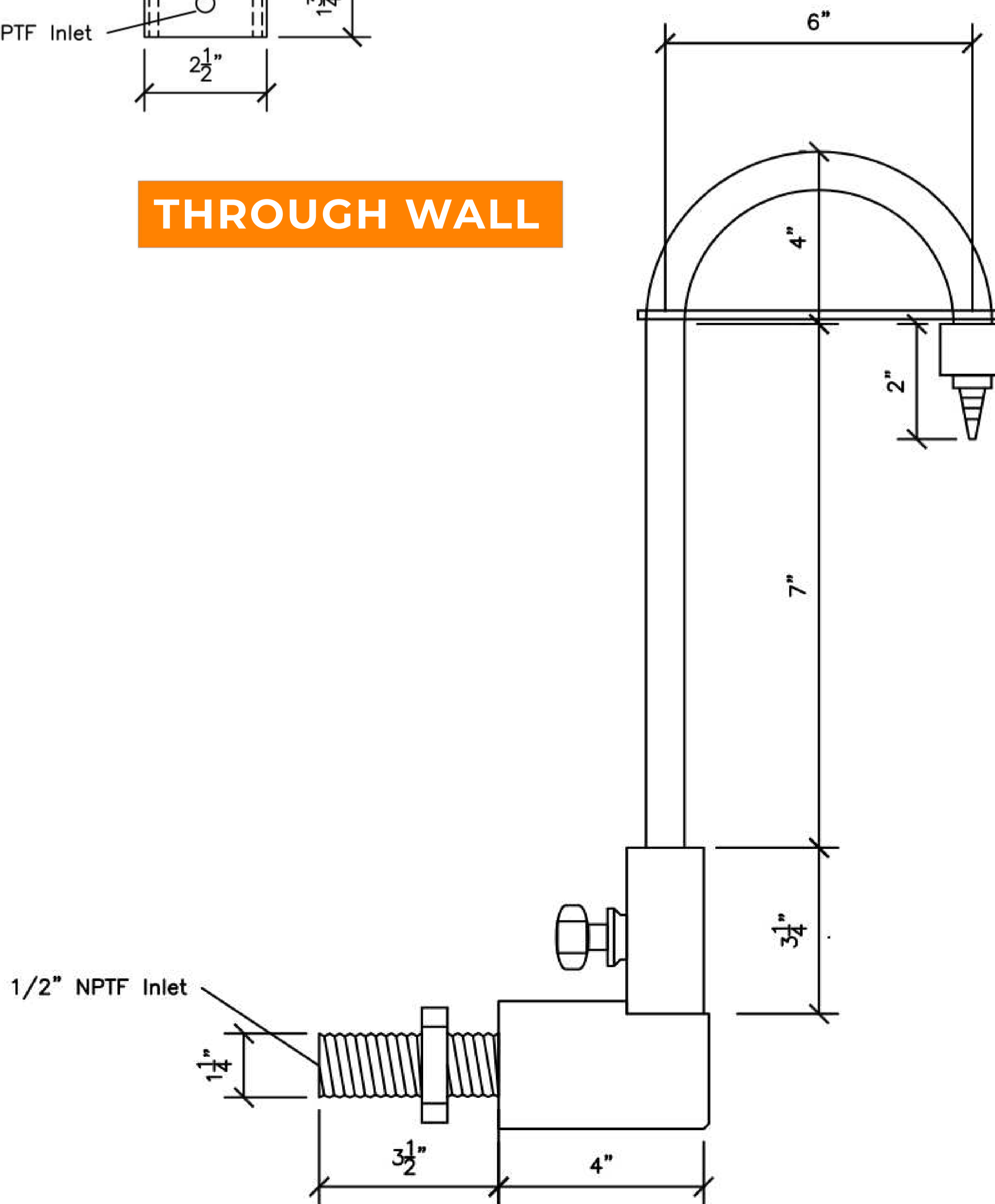
- ✓ Tall gooseneck for additional work space.
- ✓ Meter valve for optimal flow control.
- ✓ Patented non-particulating diaphragm.
- ✓ No glues, sealants, pigments, or other additives.

DIMENSIONS

BOLT BASE



THROUGH WALL



THREADED SHANK

